

**FEATURES**

- TFT- LCD
- XGA resolution
- High Contrast Ratio
- Wide Viewing Angle
- Wide Operating temperature
- EMI shield anti reflective front surface
- OSD controls
- Aluminum casing



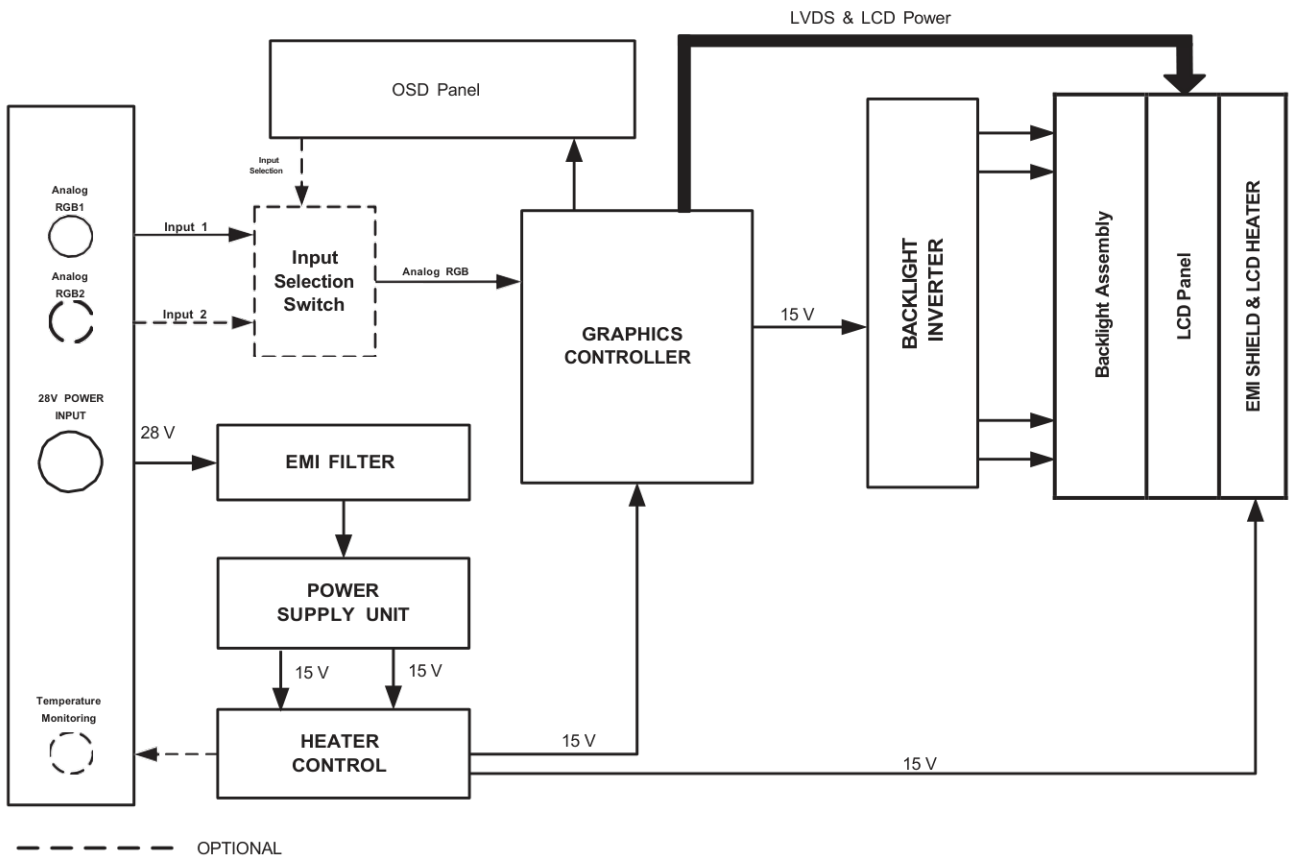
**APPLICATIONS**

- Rugged Applications

**DESCRIPTION**

NM-DSP-2066 is a rugged display system designed to operate in Harsh Environmental conditions. TFT LCD panel supports 1024 X 768-pixel resolution, more than 16 million colors, High contrast and wide viewing angle. Front surface of the display is built with EMI shield and anti reflective glass. Its designed to operate with various inputs like analog RGB, DVI, S-Video, Component video and Composite video.

**BLOCK DIAGRAM OF NM-DSP-2066**



**SPECIFICATIONS**

<p><b>15" RUGGED DISPLAY MODULE</b></p> <ul style="list-style-type: none"> <li>• Display module : 15" (Diagonal) TFT-LCD</li> <li>• Pixel Arrangement : RGB Vertical strip</li> <li>• Display Area : 304.1mm X 228.1mm</li> <li>• Resolution : 1024 X 768 pixels</li> <li>• Number of colours : More than 16 million colors</li> <li>• Brightness : 240 cd/m<sup>2</sup></li> <li>• Contrast Ratio : 400:1 at Dark Ambient</li> <li>• Viewing Angle : V ± 70°, H ± 70°</li> <li>• Brightness Non uniformity : &lt;25%</li> </ul>	<p><b>CONNECTORS</b></p> <ul style="list-style-type: none"> <li>• Signal : Circular connector : BNC / DSUB VGA Connector (optional)</li> <li>• Power : 3 Pin Circular connectors</li> </ul>
<p><b>INPUT SIGNAL</b></p> <ul style="list-style-type: none"> <li>• Signal : Analog RGB</li> <li>• Synchronization : Hsync / Vsync separated or Composite or Sync on Green</li> </ul>	<p><b>ENVIRONMENT</b></p> <ul style="list-style-type: none"> <li>• Environmental standard : MIL-STD-810E</li> <li>• Operating temperature : -30°C to +71°C</li> <li>• Storage temperature : -40°C to +85°C</li> </ul>
<p><b>OSD CONTROLS</b></p> <ul style="list-style-type: none"> <li>• Display ON / OFF</li> <li>• Menu</li> <li>• Menu selection</li> <li>• Separate keys for Brightness control</li> </ul>	
<p><b>MECHANICAL</b></p> <ul style="list-style-type: none"> <li>• Outline dimension (LXBXD in mm) : 387 X 323 X 197.5</li> <li>• Weight in Kilogram : &lt;7</li> <li>• Color : Black</li> <li>• Material : Aluminum</li> <li>• Cooling method : Conduction, Natural convention</li> </ul>	<p><b>EMI / EMC</b></p> <ul style="list-style-type: none"> <li>• EMI /EMC Standard : MIL-STD-461C</li> </ul>
<p><b>POWER</b></p> <ul style="list-style-type: none"> <li>• Power supply : 28 V</li> </ul>	
<p><b>PERFORMANCE</b></p> <ul style="list-style-type: none"> <li>• Start up from -20°C : &lt;1 minutes (Functional)</li> <li>• Start up from -20°C : &lt;3 minutes (Full Performance)</li> </ul>	
<p><b>ORDERING INFORMATION</b></p> <p><b>NM-DSP-2066-6000000000</b></p> <ul style="list-style-type: none"> <li>0 - Analog RGB 1</li> <li>3 - Analog RGB 1 and Analog RGB 2 3 - With DVI</li> <li>3 - With S- Video</li> <li>3 - With Component Video 3 - With Composite Video 3 - With Touch Screen</li> <li>0 - No RS232 Communication</li> <li>3 - With RS232 Communication 0 - CCFL Backlight</li> <li>Reserved Rugged</li> </ul>	